

Timer/Counter/Tachometer

TC-Pro2400

OVERVIEW



- ▲ 8-digit high resolution LCD(8mm high)
- ▲ Manual reset & external reset
- ▲ 25 functions(15 timer functions,10 counter functions, frequency meter & tachometer)

Technical specifications

Type	TC-Pro2400
Size	48×24×45.7(Unit : mm)
Timer range	0-99999999
Counter range	0-99999999
Response frequency	2.5Hz~50000Hz
RPM range	150~300000(unit: Round per minute)
Functions	25Functions (15 Timer + 8 Counter + Frequency Meter + Tachometer)
Power supply	DC3V Batteries
Batteries Life	>2 years
Operation temperature	-10°C ~55°C
Display Type	LCD
Screw Type	M3
Front panel waterproof protection	IP66
Rear panel waterproof protection	IP20
Vibration	IEC60068-2-6
Static discharge	IEC1000-4-2(4KV Air/2KV contact)
Electromagnetic field	IEC1000-4-3(field strength 10V/m, frequency 80MHz~1GMHz)
Shock pulse	IEC1000-4-4(1KV input)
Weight	about 33g
Opening size	45×22(unit : MM)

Timer/Counter/Tachometer

TC-Pro2400

Function Table

Type	Function Index	Index
Timer	FUNC-101	D.H.M.T
	FUNC-102	D.H.M
	FUNC-103	D-H-M
	FUNC-104	D.H
	FUNC-105	D-H
	FUNC-106	D
	FUNC-107	H.M.T
	FUNC-108	H-M-T
	FUNC-109	H.M
	FUNC-110	H-M
	FUNC-111	H
	FUNC-112	M.T
	FUNC-113	M-T
	FUNC-114	M
	FUNC-115	T
Counter	FUNC-201	Rising edge 50Hz
	FUNC-202	Falling edge 50Hz
	FUNC-203	Rising edge 100Hz
	FUNC-204	Falling edge 100Hz
	FUNC-205	Rising edge 600Hz
	FUNC-206	Falling edge 600Hz
Frequency Meter	FUNC-207	2.5~5000Hz
Tachometer	FUNC-208	150~300000 RPM
Counter	FUNC-209	Rising edge 50000Hz
	FUNC-210	Falling edge 50000Hz

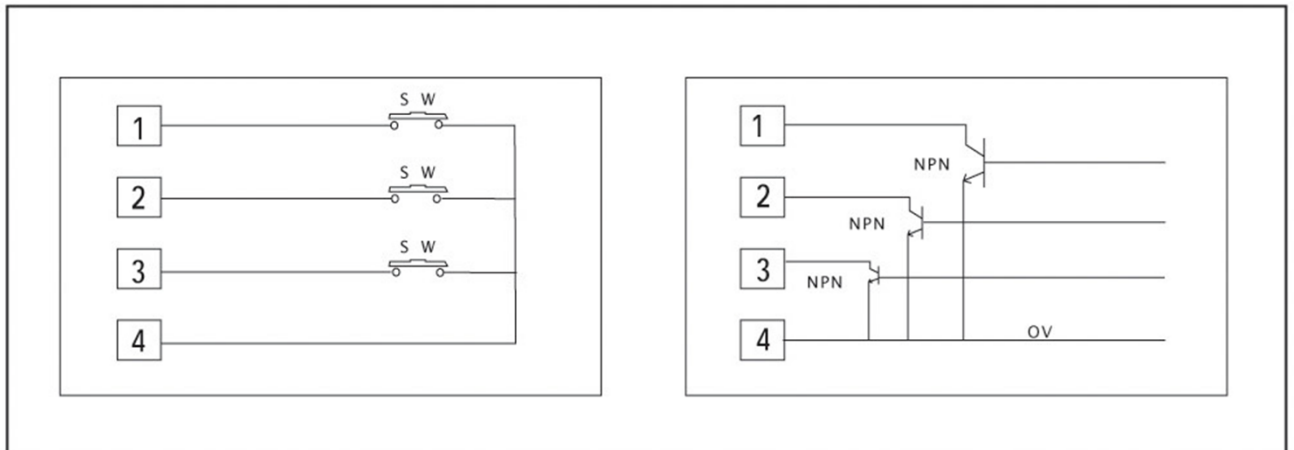
Timer/Counter/Tachometer

TC-Pro2400

Setting Procedures

1. Connect Terminal #2 to Terminal #4
2. Connect Terminal #3 to Terminal #4
3. Press panel reset-pushbutton & hold for more than 10 seconds, FUNC-101 will display on LCD
4. Press panel reset-pushbutton once, the FUNC-102 will show on display
5. Release pushbutton and wait for about 10 seconds, Function setting is complete
6. Disconnect Terminal #2 to Terminal #4
7. Disconnect Terminal #3 to Terminal #4

Example of Applications



Note

Appendix



Yottacontrol Co. 2013

Tel: 886-7-821-6370 Ext:810

Fax: 886-7-812-6559

E-mail: service@yottacontrol.com

Web: www.yottacontrol.com

**8F.-1, No.286-3, Xinya Rd., Qianzhen Dist.,
Kaohsiung City 806, Taiwan (R.O.C.)**