

## A-118X

## OVERVIEW

- ▲ FBD System
- ▲ Support Start-up Screen (108\*64 )
- ▲ Multiple communication ports
- ▲ Password protection, copy protection
- ▲ 36 integrated functions, pre-tested functions
- ▲ Linking of 1024 function block is possible
- ▲ Display of message texts
- ▲ Integrated data latch
- ▲ Flexibly expandable up to 10000 points
- ▲ Support full Modbus protocol
- ▲ Free PC software“Yotta Edit”+“Yotta Utility”

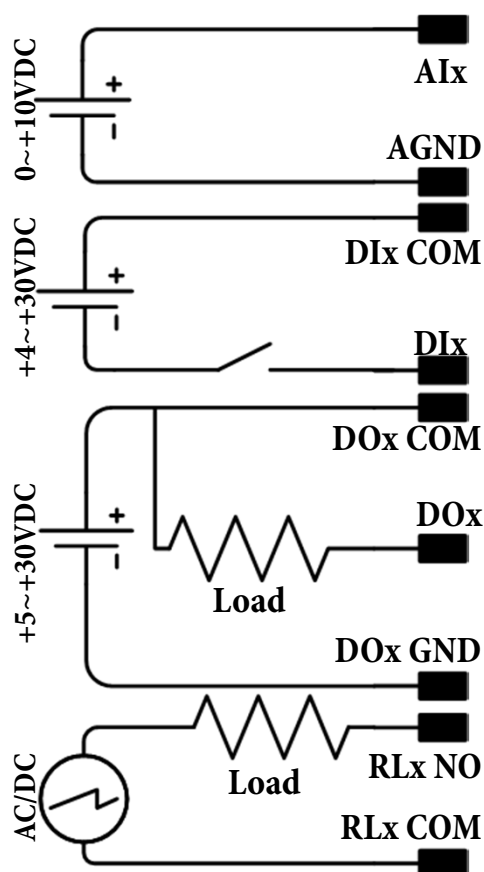
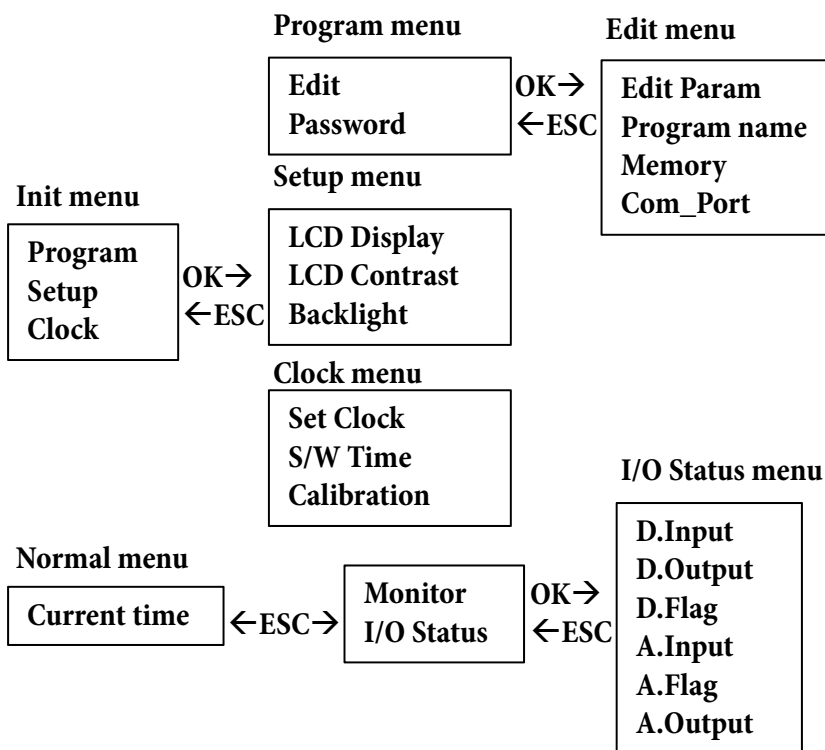
## Technical specifications

Type	A-1188S	A-1188	A-1188D	A-1189S	A-1189	A-1189D
	A-1188S-T	A-1188-T	A-1188D-T	A-1189S-T	A-1189-T	A-1189D-T
Inputs	8					
Analog inputs	--			4(10-bit)		
Supply Voltage	10~30VDC					
Outputs	4					
Continuous current	Relay : 5 A for resistive load, 2 A for inductive load Transistor : NPN open collector, max. 100mA at 30 VDC					
Integrated time switches/reserve power	Yes / > 2 years					
Operation temperature	-20°C to +75 °C					
Storage temperature	-25 °C to +80 °C					
Linking of functions	1024(Max)					
Input Operating frequency	15000HZ					
Communication Port	1	3	3	1	3	3
Display	--	--	YES	--	--	YES
Input/Output LED	--	YES	--	--	YES	--

\*(-T):Transistor Output

## A-118X

A-1188X		A-1189X	
DI0~DI7	Digital— 1: 4~30VDC 0: 2VDC(MAX)	DI0~DI3	Digital— 1: 4~30VDC 0: 2VDC(MAX)
High speed input	DI0~DI3 (15KHZ)	AI0~AI3 = DI4~DI7	Analog— 0~10VDC Digital— 1: 4~10VDC 0: 2VDC(MAX)
DI/DO	8/4	High speed input	DI0~DI3 (15KHZ)
Real time clock	YES	DI/DO/AI	8/4/4
Communication ports	RS-232*1+RS485*2 or RS-232*1	Real time clock	YES
		Communication ports	RS-232*1+RS485*2 or RS-232*1

**Warning:**

Hazardous voltage can cause electrical shock and burns.  
Disconnect power before proceeding with any work on this equipment.

**Limitations:**

When this product is used for the equipment with special safety requirements or on the important occasions, please pay attention especially to the safety of whole system and devices. If it is necessary, please install the safety device to do extra check and timing test and other safety precautions.

For further information, please visit : [www.yottacontrol.com/dcs](http://www.yottacontrol.com/dcs)