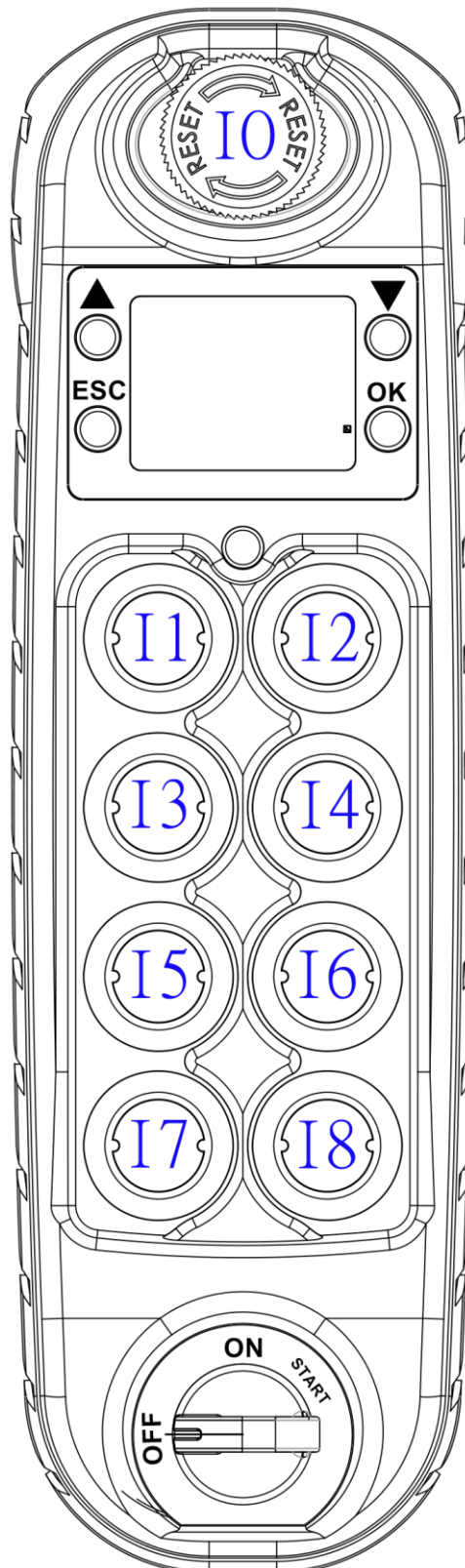


Yottacontrol A-3288 WiFi Transmitter Quick Start

The Yottacontrol A-3288 WiFi Transmitter had a two-way communication to communicate with the Yottacontrol A-52 WiFi series controller. The Yottacontrol A-52 WiFi series controller had installed an initial program in it. So you just need to power-on the A-3288 and press the button can control the A-52 WiFi controller directly.

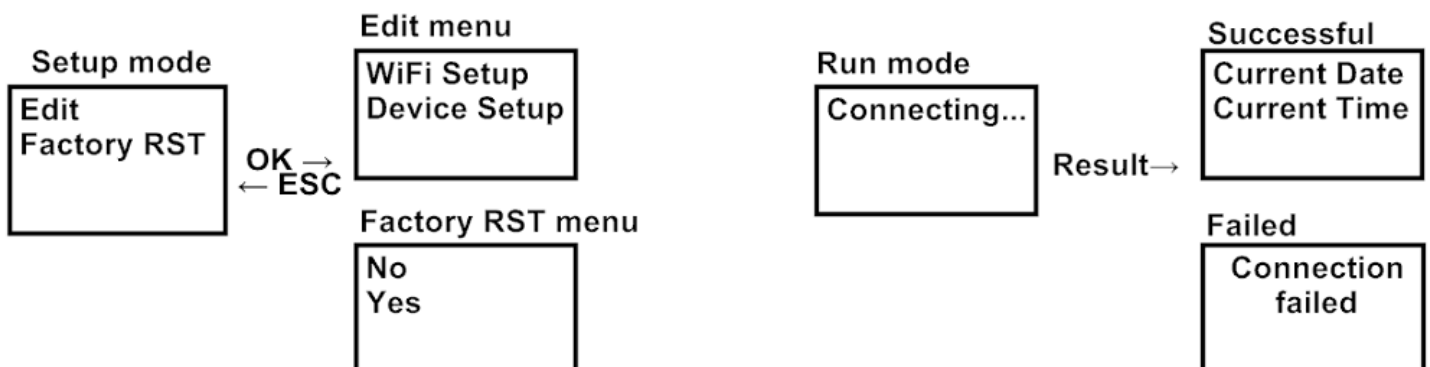
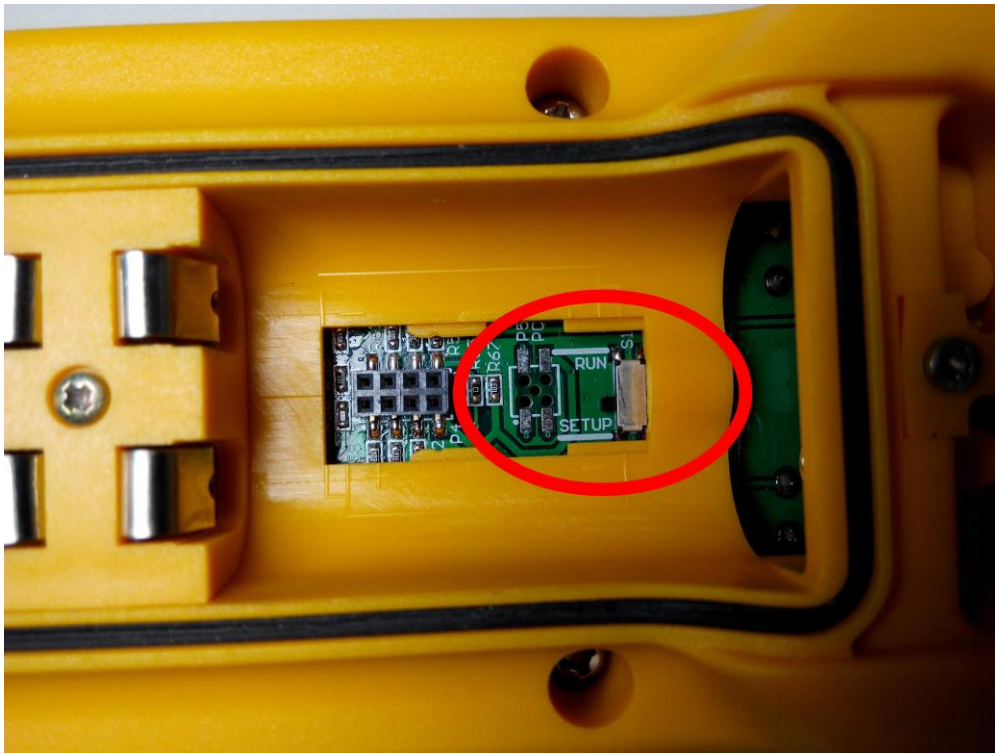
Turn the Blue Key to START position to Power-On the A-3288. And during the A-3288 any setup function, if type wrong parameter, you can turn the Blue Key from ON to START to clear the setting.



Yottacontrol A-3288 WiFi Transmitter Display menu structure

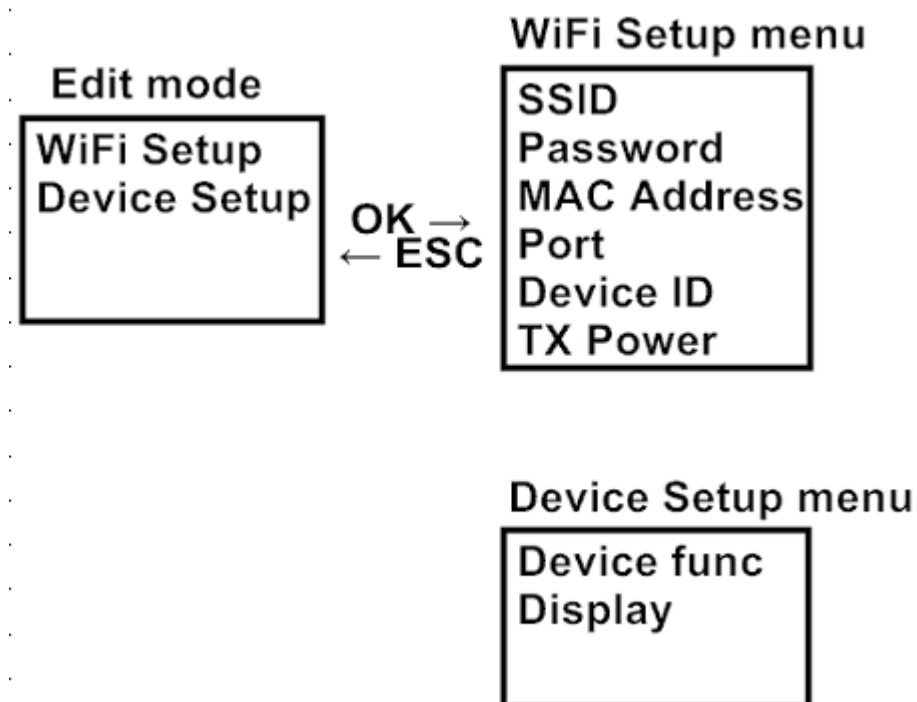
Depend on A-3288's switch status (RUN/SETUP), the display will show below figure, and can via the button to complete below setting.

Note: at SETUP mode, press OK more than 3 Sec can modify the parameter, when complete press OK more than 3 Sec to store the setting.



1. Setup mode

1.1 Edit mode



1.1.1 WiFi Setup menu

In the WiFi Setup menu, you can edit the parameter as above graph.

SSID: You must type the A-52 WiFi controller's SSID. (note, the initial SSID is **52WIFI**)

Password: Type the A-52 WiFi controller's password.

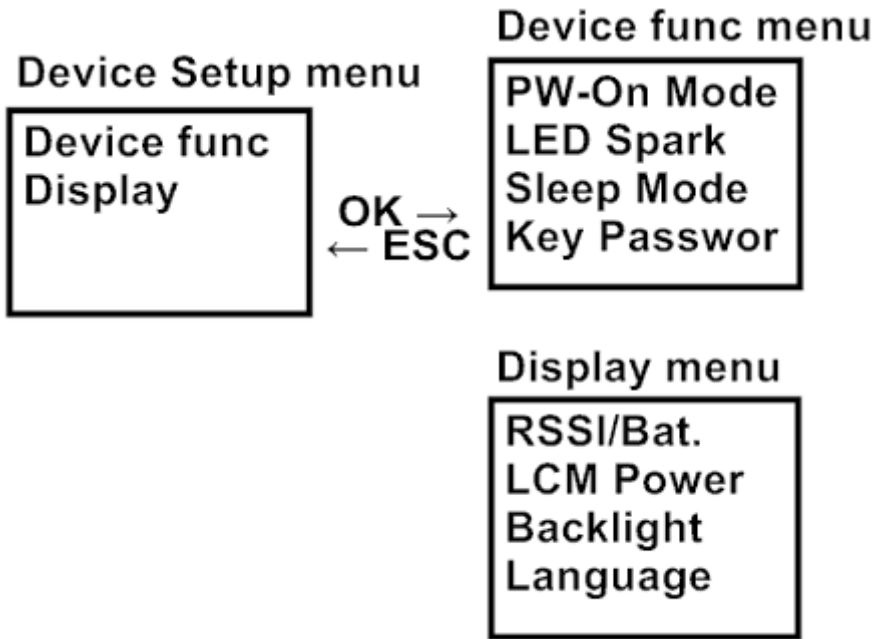
MAC Address: It's the A-3288's isolate value, read only.

Port: Edit the port.

Device ID: Range 1-7. You must set the Device ID for different value to communicate with the A-52 WiFi controller for avoiding ID conflict.

TX Power: Range 1-12, the initial setting is 12 (0:weak~12:strong).

1.1.2 Device Setup



1.1.2.1 Device func menu

In the Device func menu, you can edit the parameter as above graph.

PW-On Mode: It had 2 Power-On options. The **standard** is mean when the I0 (Emergency) press, the A-3288 can't correctly to Power-On. The **Simple** is mean A-3288 can correctly to Power-On without any limitation.

LED Spark: When the A-3288 working, the LED indicator will keep sparking in a cycling period. You can set up the spark ON & OFF period.

Sleep Mode: During the Sleep period, if not press the A-3288's button. The A-3288 will auto power-off.

Key Passwor: You can set up the A-3288's Power-On password for security condition. The Password is used the I0~I8 button. When power-on, if press the wrong password, the A-3288 will not work. And Led Indicator will show orange light.

1.1.2.2 Display menu

RSSI/Bat. : Can choose RSSI (Received Signal Strength Indicator) and Battery display ON or OFF on the LCM.

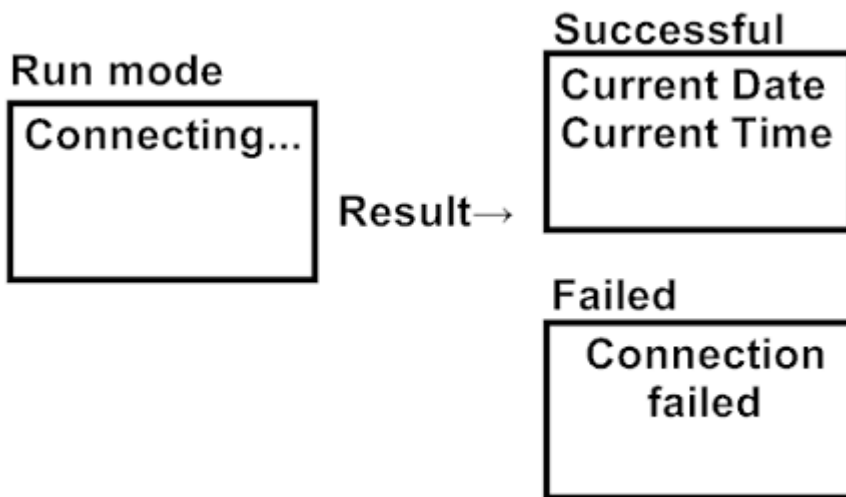
LCM Power: Can choose LCM ON or OFF. If choosing OFF, the LCM will disappear during the operate for decreasing power consumption.

Backlight: You can adjust the LCM's backlight in this menu. (0%, 50%, 100%)

Language: The A-3288 LCM offer English, ChineseBig5, Chinese option.

2. Run mode

In this mode, the A-3288's LCM display will as same as the A-52 WiFi controller.



3. LED Indicator

In successful connection condition, when press the I0~I8 button, the LED Indicator will show green light.

In failed connection condition, when press the I0~I8 button, the LED Indicator will show orange light.