

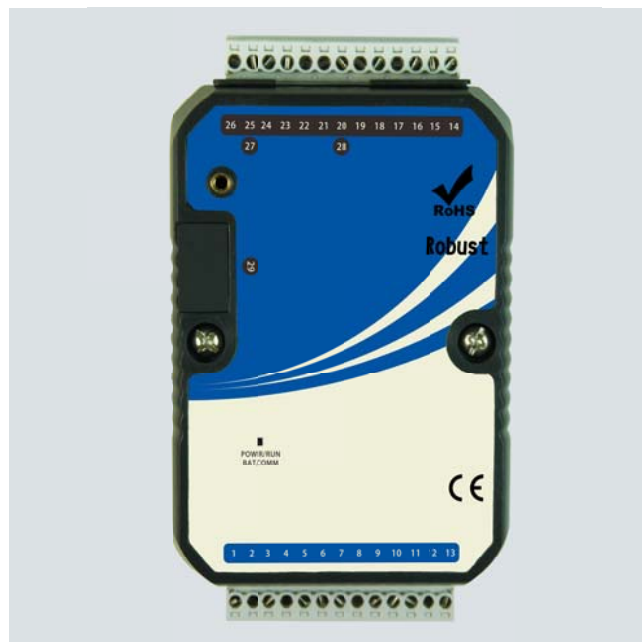
Isolation Remote Modules

Isolation RS-485 Analog I/O Remote Modules

A-1010+

OVERVIEW

- ※ Isolated RS-485 interfaces (2500Vrms)
- ※ Analog Input 10-bit Resolution
- ※ Analog Output 10-bit Resolution
- ※ Support Analog Input 0~10V
- ※ Support Analog Output 0~10V
- ※ UL recognition: 2500 V rms for 1 minute per UL 1577
- ※ VDE Certificates of Conformity
DIN EN 60747-5-2 (VDE 0884 Part 2): 2003-01
- ※ Hi-Speed RS-485 Interface (Max 115200bps)
- ※ Supports Modbus RTU / ASCII
- ※ LED Indicator
- ※ Operation Temperature -20~+75°C
- ※ Isolation Voltage: 5000 V DC
- ※ Surge , EFT And ESD Protection
- ※ Dual Watchdog Timer
- ※ Low Power Indicator
- ※ Operation Range: Up To 1200 Meters
- ※ Free PC Software “Yotta Utility”



For more information, please refer to
www.yottacontrol.com

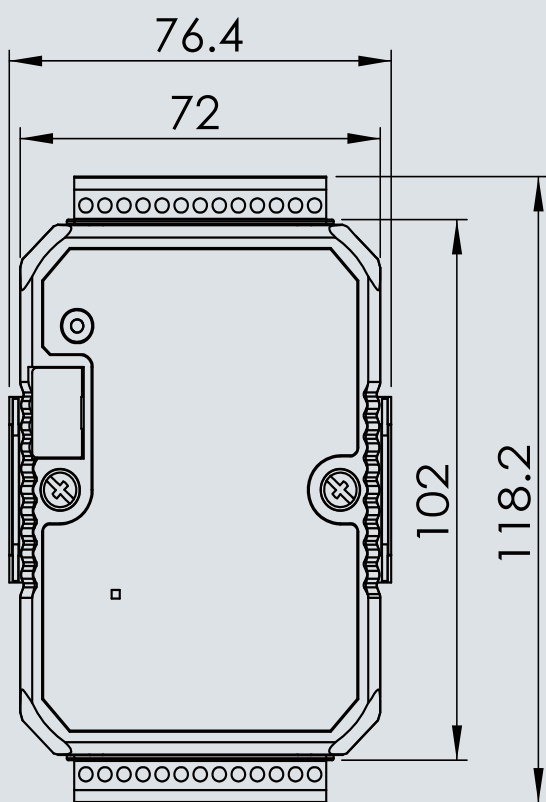
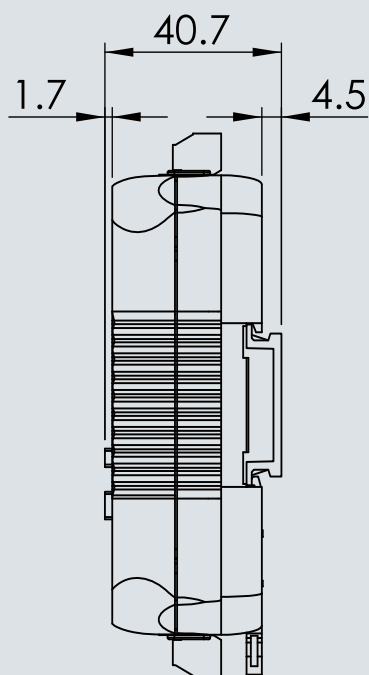
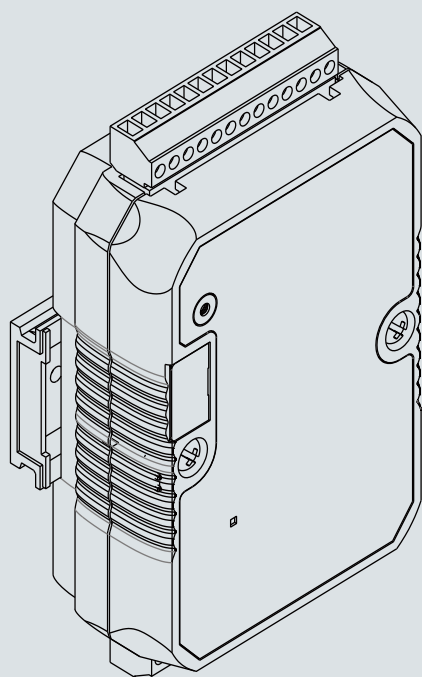
Type	A-1010+
	ADIO
Operation Voltage	10-30VDC/24VAC
Inputs	---
Outputs	4*(Transistor)
Continuous Current	10-40VDC(200mA)
Communication Baud Rate	2400-115200bps
Isolation	YES(5000VDC)
Input Operating Frequency	10HZ
Output Operating Frequency	Transistor:10HZ
Operation Temperature	-20 to +75 °C
Degree Of Protection	IP20
Installation	35 mm DIN rail or Flush mounting
Dimension (W x H x D mm)	76.4*118.2*38.5 mm
Analog Inputs	8 (10-bit)
Analog Input Type	0-10V
Analog Outputs	2 (10-bit)
Analog Output Type	0-10V
Input Impedance	Voltage:10 MΩ
Analog Input / Output Accuracy	±3% / ±3%
Interface	RS-485
Channel Independent Configuration	YES
Sampling Rate	10 sample/second (total)
CMR @ 50/60 Hz	120 dB
Span Drift	±50 ppm/°C
Zero Drift	±18 μV/°C

Dimension

Remote Modules

Remote Modules

Dimension



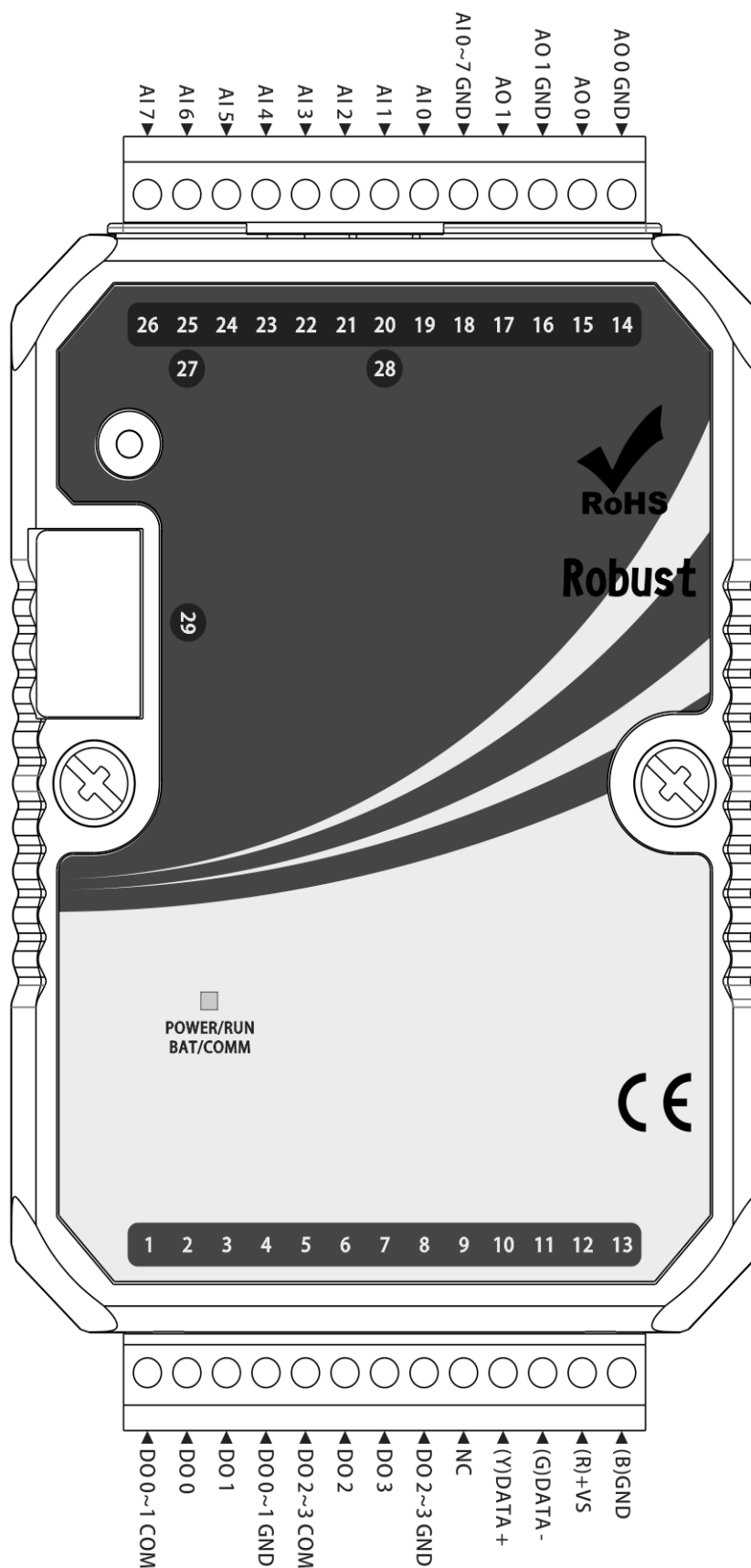
For more information, please refer to www.yottacontrol.com

Pin Assignments

Remote Modules

Remote Modules

Pin Table



Function	
1	DO 0~1 COM
2	DO 0
3	DO 1
4	DO 0~1 GMD
5	DO 2~3 COM
6	DO 2
7	DO 3
8	DO 2~3 GND
9	NC
10	(Y)DATA +
11	(G)DATA -
12	(R)+VS
13	(B)GND
14	AO 0 GND
15	AO 0
16	AO 1 GND
17	AO 1
18	AI 0~7 GND
19	AI 0
20	AI 1
21	AI 2
22	AI 3
23	AI 4
24	AI 5
25	AI 6
26	AI 7
27	NC
28	NC
29	NC

For more information, please refer to www.yottacontrol.com

